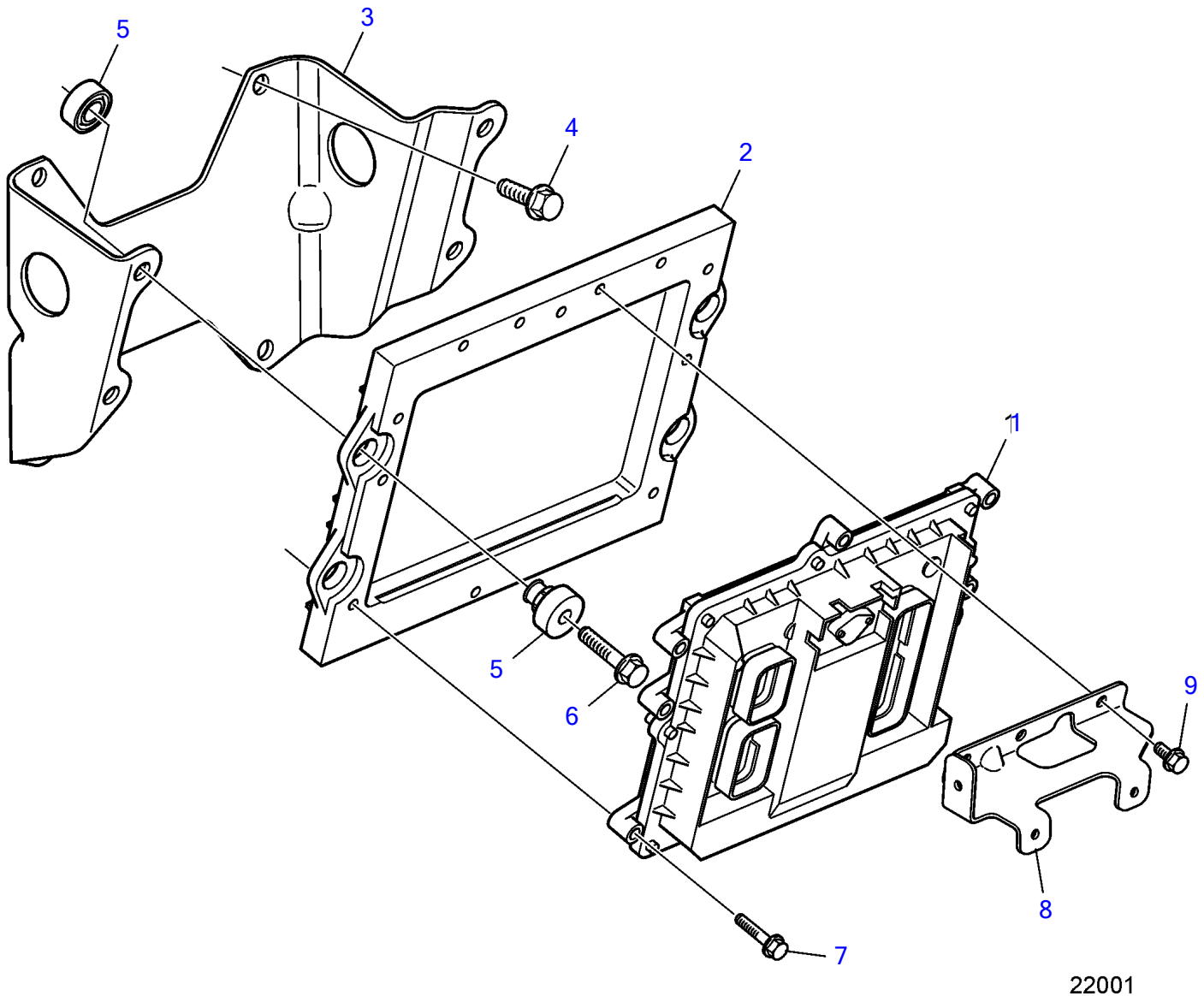


D4-180I-B, D4-180I-C, D4-180I-D, D4-180I-E, D4-210A-A, D4-210I-A, D4-210I-B, D4-225I-B, D4-225A-C, D4-225A-D, D4-225I-C, D4-225I-D, D4-260A-A, D4-260A-B, D4-260A-C, D4-260A-D, D4-260D-B, D4-260D-C, D4-260D-D, D4-260I-A, D4-260I-B, D4-260I-C, D4-260I-D, D4-300A-A, D4-300A-C, D4-300A-D, D4-300D-A, D4-300D-C, D4-300I-A, D4-300I-C, D4-300I-D, D4-225A-E, D4-225I-E, D4-260A-E, D4-260D-E, D4-260I-E, D4-300A-E, D4-300D-E, D4-300D-D, D4-300I-E



D4-180I-B, D4-180I-C, D4-180I-D, D4-180I-E, D4-210A-A, D4-210I-A, D4-210I-B, D4-225I-B, D4-225A-C, D4-225A-D, D4-225I-C, D4-225I-D, D4-260A-A, D4-260A-B, D4-260A-C, D4-260A-D, D4-260D-B, D4-260D-C, D4-260D-D, D4-260I-A, D4-260I-B, D4-260I-C, D4-260I-D, D4-300A-A, D4-300A-C, D4-300A-D, D4-300D-A, D4-300D-C, D4-300I-A, D4-300I-C, D4-300I-D, D4-225A-E, D4-225I-E, D4-260A-E, D4-260D-E, D4-260I-E, D4-300A-E, D4-300D-E, D4-300D-D, D4-300I-E

| REF | PART NO. | QTY | DESCRIPTION | NOTES |
|-----|----------|-----|------------------------------|---|
| 1 | 881810 | 1 | Control unit, not programmed | |
| | 3586269 | 1 | Software | Warehouse programming. This p/n can not be ordered, but will be used for invoicing. |
| | 3586268 | 1 | Software | Vodia-programming. This p/n can not be ordered, but will be used for invoicing. |
| 2 | 3584080 | 1 | Support | |
| 3 | 3584082 | 1 | Bracket | |
| 4 | 946472 | 4 | Flange screw | |
| 5 | 3842049 | 4 | Damping element | |
| 6 | 947760 | 4 | Flange screw | |
| 7 | 948356 | 8 | Flange screw | |
| 8 | 3584146 | 1 | Bracket | |
| 9 | 967949 | 4 | Flange screw | |